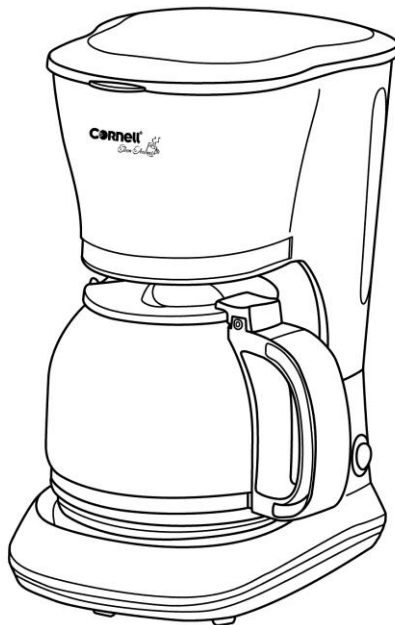


CORnell®

User Manual



Coffee Maker

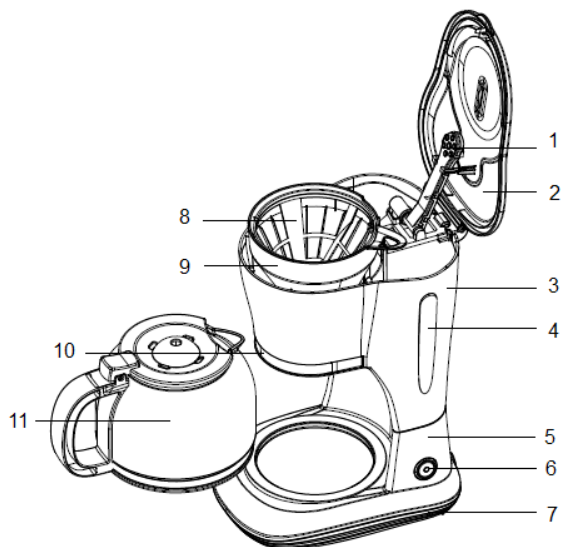
CCM-E12BK

SAFETY REGULATION

- Read all the instruction carefully. Keep this user manual for future reference.
- This appliance is not intended for use by persons (including children) with reduced physical, sensory or mental capabilities, or lack of experience and knowledge, unless they have been given supervision or instruction concerning the use of appliance by a person responsible for their safety.
- Use only original accessories supplied.
- The current voltage which indicates on the plate must correspond to your local voltage.
- The appliance should be used only on condition that the type of power supply corresponds to the marking label. Otherwise, it will not work or even be damaged.
- If the appliance falls into water, pull the power plug out from the power socket immediately.
- Never use the appliance unless it is fully assembled.
- Do not overload outlets or extension cords. It can result in fire or electric shock.
- Do not use the appliance if the power supply cord or plug has been damaged.
- Unplug from outlet when not in use, before putting on or taking off parts, and before cleaning.
- The use of accessory attachments not recommended by the appliance manufacturer may cause injuries.

- Do not immerse the cord, plug or appliance in water or other types of liquid and do not pour water onto it to avoid from fire, electrical shock or personal injury.
- To protect against risk of electrical shock, do not force any foreign objects such as pins and wires into any openings.
- Never leave the empty carafe on the keeping warm plate otherwise the carafe is liable to crack.
- Never use the appliance if the carafe shows any signs of cracks or carafe having a loose or weakened handle.

PARTS IDENTIFICATION



- | | |
|------------------|---------------------|
| 1. Sprayer | 7. Bottom Cover |
| 2. Top Cover | 8. Filter |
| 3. Water Tank | 9. Funnel |
| 4. Water Gauge | 10. Water Tank Deco |
| 5. Main Housing | 11. Carafe |
| 6. ON/OFF Switch | |

SPECIFICATION

Model	CCM-E12BK
Voltage	220-240V~
Frequency	50/60Hz
Power	670-800W
Capacity	1.5L

OPERATING INSTRUCTIONS

Before Using

- Carry out 2 or 3 boil-processes with fresh water (without coffee). Once all the water has passed through, switch off the appliance and let it cool down during 5 minutes. Then repeat the process with fresh water.

Making Coffee

- Fill the water tank with the required quantity of water. Ensure that the water level is not lower than the minimum mark and not higher than indication "MAX". Use fresh, cold water only. The number of cups can be

read on the water level window.

- Switch on the appliance. Wait until the brewing process is finished and the funnel has run empty.
- For large cups: takes 5-6g of ground coffee each cup.
- Place the funnel into funnel holder and make sure the funnel is assembled in place, and then put a paper filter into funnel correctly.
- Add proper coffee powder into paper filter. Usually a cup of coffee need a level spoon of coffee powder, but you may adjust according to personal taste, and then replace the top cover.
- Insert glass carafe with lid in place onto warming plate horizontally, ensure center line of carafe aligns with that of funnel.
- Plug the unit into an outlet.
- Press power switch to the “I” position, the indicator in it will be illuminated and the appliance will begin working. The brewing process can be interrupted by pressing the switch to the “O” position at any time and the indicator in it will go off, indicating your coffee maker is off. Once the switch is pressed again to the “I” position, the appliance will continue to brew.

NOTE: the appliance is designed with a pause-and-serve feature, if you wish, at any time during brewing cycle, you can temporarily remove carafe to pour and serve a cup of hot coffee. The brewing cycle will not be interrupted and no coffee will drip from the appliance, simply replace glass carafe onto warming plate to restart the brewing cycle, But do not remove glass carafe for longer than 30s, never return empty carafe onto warming plate when it is still warm.

- Remove carafe to serve when finish brewing

NOTE: the coffee you get will be less than the water you have added as some water is absorbed by coffee powder.

CAUTION: When pour coffee, the momentary inclined angle of carafe shall not be more than 45 degree from the vertical position, you shall pour the coffee slowly until the carafe is empty, otherwise the coffee in the carafe will rush to the bottom of carafe lid, and the coffee will flow out from two edges of lid and hurt person!

- After brewing, the appliance will automatically switch to the warming mode, which will continue to keep your coffee warm until you turn off the appliance. It is suggested that warming time shall be not more than 1 hour. For an optimum coffee taste, serve it just after brewing.
- Always turn the coffee maker off and unplug the appliance when not in use.

CARE AND CLEANING

CLEANING

- Always remove the main plug from the wall socket before cleaning the appliance.
- Never immerse the appliance in water.
- Wipe external surface with a damp cloth.
- The carafe and the filter and the funnel can be washed in hot soapy water.

DESCALING

- Descale your coffee maker regularly.
- To keep your coffee maker operating efficiently, periodically you should clean away the mineral deposits left by the water according to the water quality in your area and the use frequency, we recommend removing mineral deposits as follows:
 - Fill the tank with water and declare to the max level as indicated on water gauge (the scale of water and declare is 4:1, the detail refers to the instruction of declare. Please use “household declare”), you may also use the citric acid instead of the declare (the one hundred parts of water and three parts of citric acid).
 - Insert glass carafe onto the warming plate.
 - Make sure without coffee powder and funnel are assembled in place.
 - Switch on the appliance and allow it to “brew” de-scaling solution.
 - After “brew” one-cup solution, switch off the appliance.
 - Leave the solution stay for 15 minutes and repeat step 3-5.
 - Switch on the appliance and run off the solution until the water tank is completely empty.
 - Rinse by operating the appliance with water at least 3 times.



Marketed by:

CORNELL SALES & SERVICE SDN BHD (604369-P)

Lot 11B, Jalan 223, Section 51A,
46100 Petaling Jaya,
Selangor Darul Ehsan, Malaysia.

InfoLine: 1-800-881-770
www.cornellappliances.com