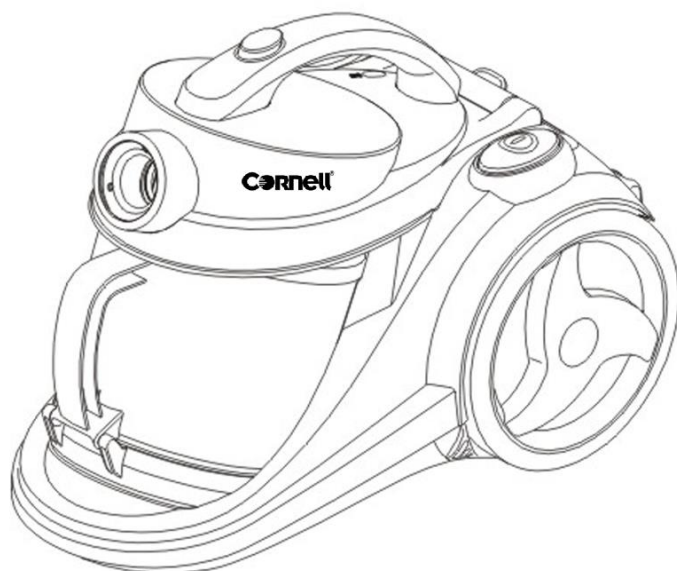


CORNELL®

User Manual



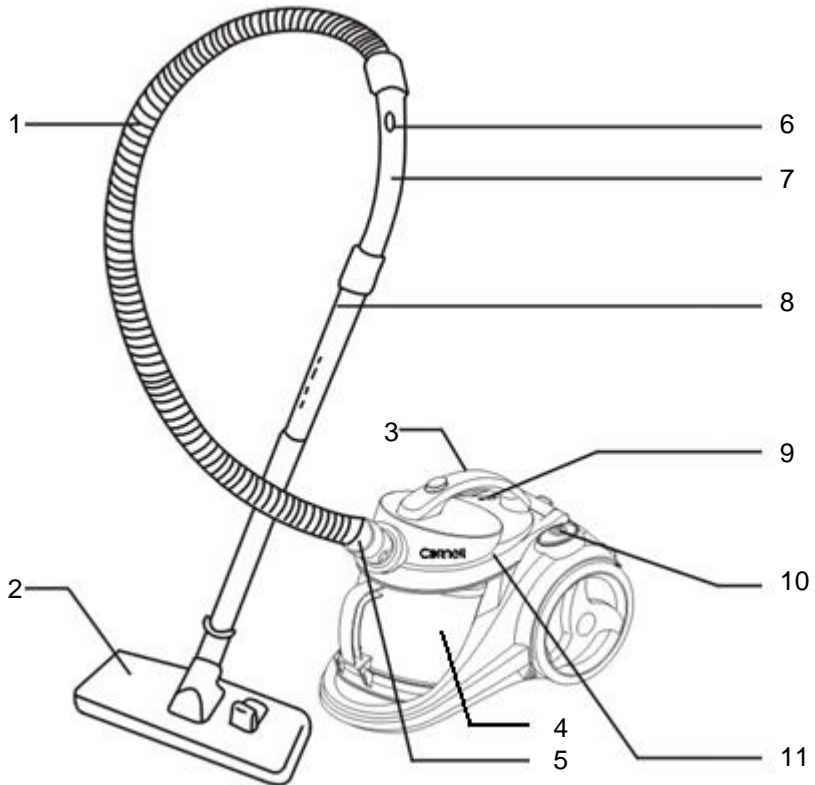
**Vacuum
Cleaner**

CVC-PH2000CH

General Safety Precautions

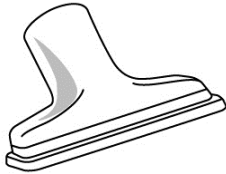
1. Thank you for your purchase of this appliance. Read all instructions carefully. Keep this User Manual for future reference.
2. Always switch off and unplug the appliance from the electrical outlet **BEFORE** cleaning and also when not in use.
3. Never immerse the appliance, power cord or plug into water or other liquids. Please refer to the section on “Care and Cleaning”.
4. This product must not be left unattended while it is connected to the main supply.
5. If it is a detachable power cord, always connect the power cord to the appliance first **BEFORE** plugging it into the electrical outlet. To disconnect the appliance, switch off the power on the electrical outlet before removing the power plug.
6. Close supervision is necessary when operating the appliance near children. Ensure that the power cord does not hang over the work surface.
7. Do not operate the appliance with a damaged power cord set or plug. Any repairs should always be carried out by an authorized service centre.
8. Never attempt to vacuum flammable or poisonous liquids such as petrol, copier toner or other volatile substances. Avoid vacuuming acids, asbestos or asbestos dust, hot ashes, broken glasses, sharp objects and liquids.
9. Do not use the machine without installing the filters first.
10. Do not use the appliance for any purposes other than its intended use. This appliance is intended for household use only.
11. Do not use the appliance in the outdoors or in a damp area.
12. Do not place the appliance on or near a hot gas or electric burner, or near easily flammable materials.
13. This appliance should not be used by people who are physically or mentally impaired (including children) unless proper guidance is provided during operation.

Parts Identification

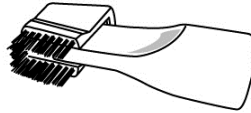


1. Flexible Hose
2. Floor Brush
3. Cord Rewind Button
4. Dust Container
5. Hose Inlet
6. Airflow Regulator
7. Hose Handle
8. Extension Tube
9. "Dust Container Full" Indicator
10. On/Off Button
11. Front Cover

Accessories



Upholstery
Nozzle



Crevice Tool With
Dusting Brush

Specifications

Model No.	CVC-PH2000CH
Rated Voltage	220-240V~
Rated Power	1800W
Frequency	50/60Hz

Operating Instructions

How to Assemble

Attaching the Flexible Hose to the Vacuum

- Connect the flexible hose into the hose inlet. Push it in until it clicks securely in place.

Fitting the Extension Tube to the Flexible Hose

- Connect the extension tube into the hose handle and flexible hose before inserting other accessories.

Fitting the Floor Brush to the Extension Tube

- Push the end of the extension tube into the floor brush.

Crevice Tool With Dusting Brush

- Useful for cleaning radiators, crevices, corners, baseboards and between cushions.

Upholstery Nozzle

- The upholstery nozzle is used for cleaning furniture and upholstery.

How to Use

- **Note:** Once all attachments are in place, unwind a sufficient length of cable and insert the power plug into an electrical outlet.
- Press the “On/Off” button located on the unit to switch the vacuum cleaner on.
- To rewind the power cord, press the cord rewind button with one hand and hold the plug of the power cord with the other hand to prevent any backlash that might cause damage or injury.

Power Cord

This vacuum cleaner features an automatic retractable power cord. To extend the power cord, pull from rear and extend to a desired length. When vacuuming is completed, switch off the power and disconnect the plug from the electrical outlet. Then, press on the cord rewind button. If the cord does not fully retract, pull the cord out and then press the cord rewind button again.

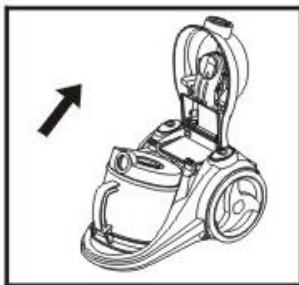
“Dust Container Full” Indicator

- The vacuum cleaner has a built-in pressure safety valve. As soon as the dust container is full or the suction hose is blocked, the ‘dust container full’ indicator will show. If suction power has diminished noticeably, first check if the suction hose is blocked. Then check if the dust container is full. If this is the case, empty the container.

Care and Cleaning

Cleaning the dust container

- Remove the dust container from the appliance by lifting the front cover and pulling the dust container out from the appliance.



- Hold the dust container over a dustbin and press the dust release button. The bottom cover of the dust container will open to release the dirt inside.



- Close the bottom of the dust container by pressing the base upward until it clicks into place.
- Push the dust container back onto the appliance to refit.

Cleaning the foam in dust container



- Take out the foam from the dust container when it is dirty.



- Wash it in the water and let it dry under the hot sun before using it again.



This marking indicates that this product should not be disposed with other household wastes throughout the nation. To prevent possible harm to the environment or human health from uncontrolled waste disposal, recycle it responsibly to promote the sustainable reuse of material resources. To return your used device, please use the return and collection systems or contact the retailer where the product was purchased. They can take this product for environmental safe recycling.



Marketed by:

CORNELL SALES & SERVICE SDN BHD (604369-P)

Lot 11B, Jalan 223, Section 51A,
46100 Petaling Jaya,
Selangor Darul Ehsan, Malaysia.

InfoLine: 1-800-881-770
www.cornellappliances.com