

# CORnell®

## User Manual



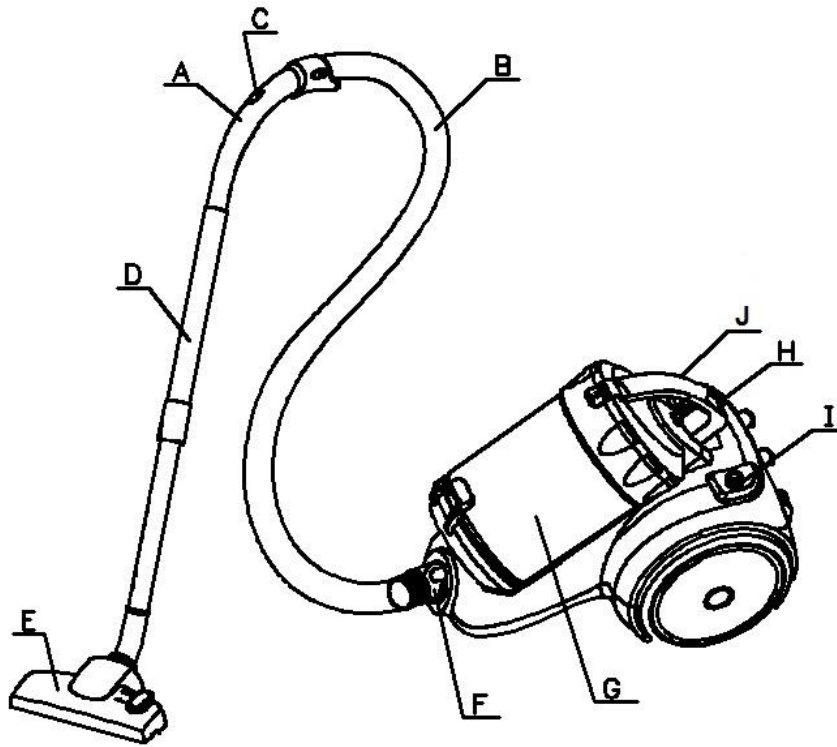
**Vacuum  
Cleaner**

**CVC-PH2001MCH**

## GENERAL SAFETY PRECAUTIONS

1. Thank you for your purchase of this appliance. Read all instructions carefully. Keep this User Manual for future reference.
2. Always switch off and unplug the appliance from the electrical outlet **BEFORE** cleaning and also when not in use.
3. Never immerse the appliance, power cord or plug into water or other liquids. Please refer to the section on "Care and Cleaning".
4. This product must not be left unattended while it is connected to the mains supply.
5. If it is a detachable power cord, always connect the power cord to the appliance first **BEFORE** plugging it into the electrical outlet. To disconnect the appliance, switch off the power on the electrical outlet before removing the power plug.
6. Close supervision is necessary when operating the appliance near children. Ensure that the power cord does not hang over the work surface.
7. Do not operate the appliance with a damaged power cord set or plug. Any repairs should always be carried out by an authorized service centre.
8. Never attempt to vacuum flammable or poisonous liquids such as petrol, copier toner or other volatile substances. Avoid vacuuming acids, asbestos or asbestos dust, hot ashes, broken glasses, sharp objects and liquids.
9. Do not use the appliance without installing the filters first.
10. Do not use the appliance for any purposes other than its intended use. This appliance is intended for household use only.
11. Do not use the appliance in the outdoors or in a damp area.
12. Do not place heavy items on the power cord, allow it to be pinched between objects, or modify it.
13. Do not place the appliance on or near a hot gas or electric burner, or near easily flammable materials.
14. This appliance should not be used by people who are physically or mentally impaired (including children) unless proper guidance is provided during operation.

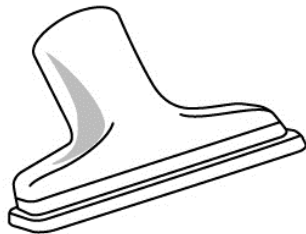
## PARTS IDENTIFICATION



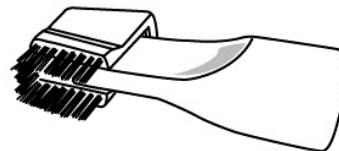
- A. Hose Handle
- B. Flexible Hose
- C. Airflow Regulator
- D. Extension Tube
- E. Floor Brush

- F. Hose Connector
- G. Dust Container
- H. Dust Container Release Button
- I. Power Switch
- J. Cord Rewind Button

### Accessories



Upholstery  
Nozzle



Crevice Tool With  
Dusting Brush

## SPECIFICATIONS

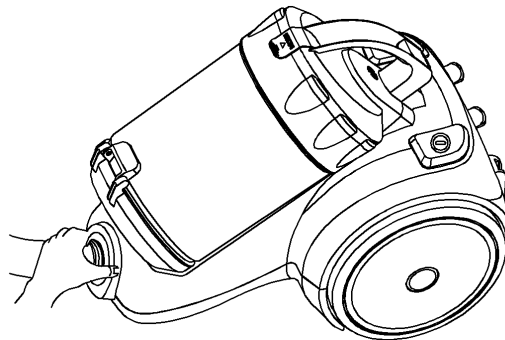
Model	<b>CVC-PH2001MCH</b>
Rated Voltage	<b>220-240V~</b>
Rated Wattage	<b>1800W</b>
Frequency	<b>50/60Hz</b>

## OPERATING INSTRUCTIONS

### ASSEMBLING THE VACUUM CLEANER

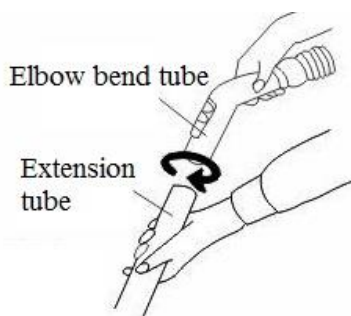
#### Removing the flexible hose

Remove the power plug from the power socket. To release the flexible hose, press the button on the end of the tube and pull the tube firmly from the air intake duct.

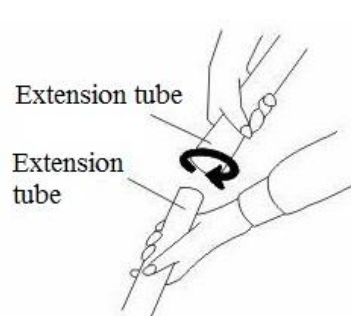


#### Fitting the extension tubes and accessories

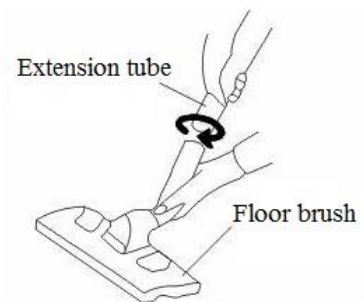
Fitting the elbow bend tube to the extension tube



Fitting the extension tubes together

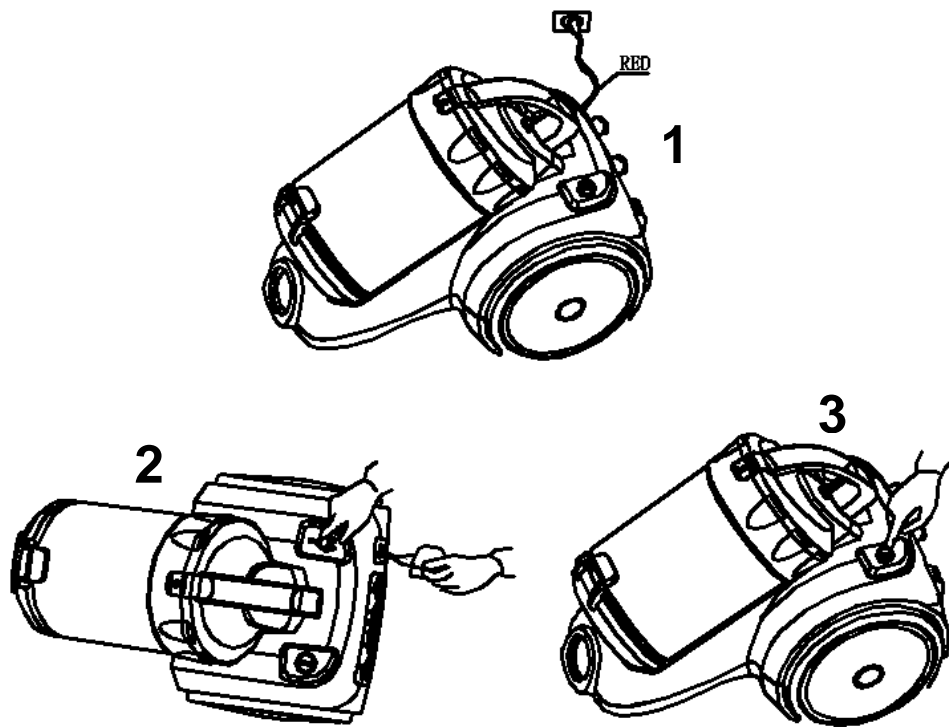


Fitting the accessories to the extension tube



## INSTRUCTION FOR USE

1. Before using the appliance, first unwind a sufficient length of power cord and plug into the main socket. Do not extend the cable beyond the RED mark.
2. To rewind the power cable, press the rewind button with one hand and guide the power cable in the other hand to ensure that it does not fling around causing damage.
3. Press the ON/OFF button to switch on the appliance.



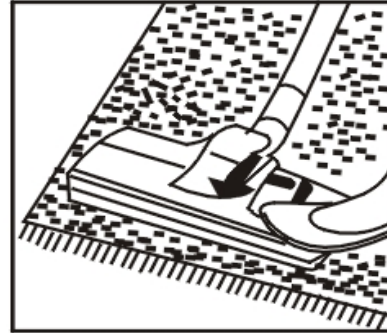
## Using the cleaning accessories

- **Dual-position carpet / floor brush.**

Pos. 1: Bristles extended. For hard floors



Pos. 2: Bristles retracted for carpets



- **Crevice tool**

For cleaning radiators, corners, edges, drawers.



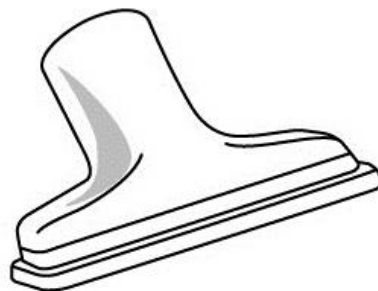
- **Dusting brush**

For cleaning curtains, shelves, books, inlaid furniture, lamps and other foreign objects.



- **Upholstery Nozzle**

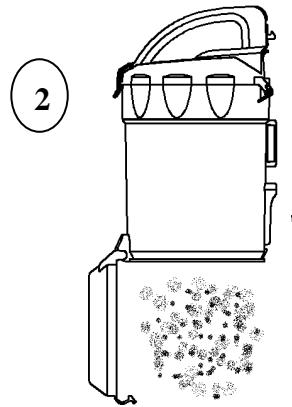
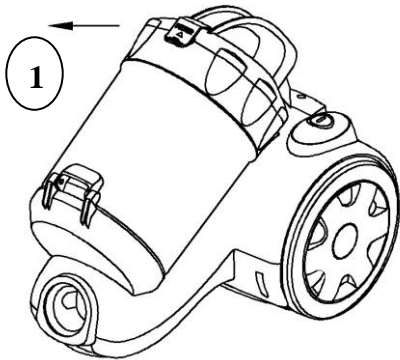
The upholstery nozzle is used for cleaning furniture and upholstery.



## CARE AND CLEANING

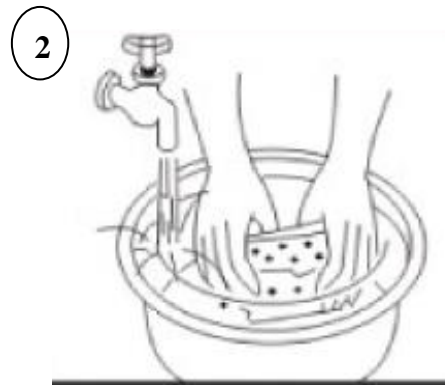
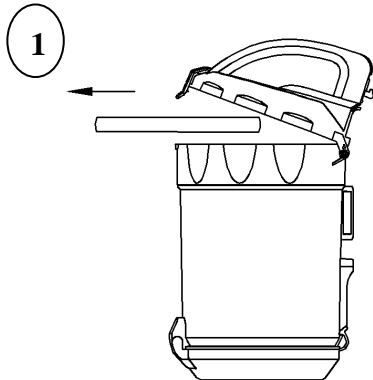
### Clean the dust

1. Press the button on the dust container cover to lift out the dust container from the body.
2. Slide the button at the bottom side of the dust container and clean the dust inside the container.



### Clean the filter

1. Take out the filter when it's fully covered with dust.
2. Clean the filter with clean water. Dry it naturally before the next usage.



### Correct Disposal of this product



This marking indicates that this product should not be disposed with other household wastes throughout the EU. To prevent possible harm to the environment or human health from uncontrolled waste disposal, recycle it responsibly to promote the sustainable reuse of material resources. To return your used device, please use the return and collection systems or contact the retailer where the product was purchased. They can take this product for environmental safe recycling.



Marketed by:

**CORNELL SALES & SERVICE SDN BHD** (604369-P)

Lot 11B, Jalan 223, Section 51A,  
46100 Petaling Jaya,  
Selangor Darul Ehsan, Malaysia.

InfoLine: 1-800-881-770  
[www.cornellappliances.com](http://www.cornellappliances.com)