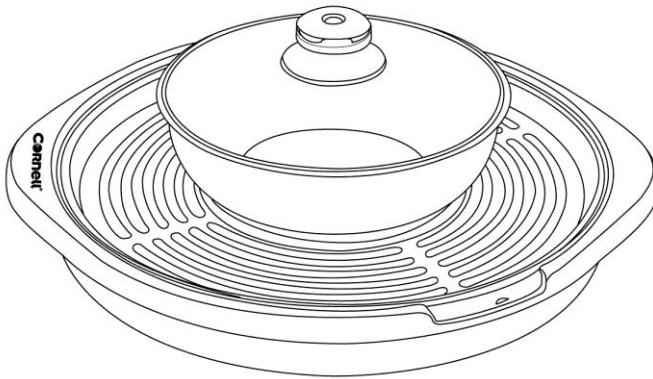


**CORnell®**

# User Manual



**Teppan**

**CCG-EL36N**

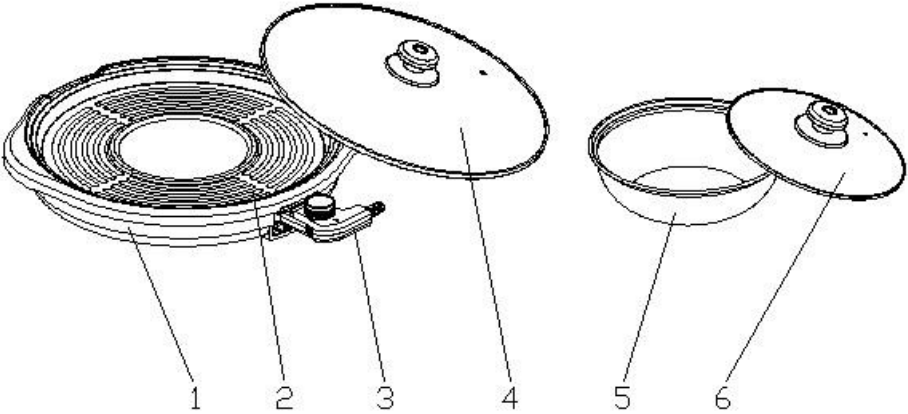
**Shabu**

## GENERAL SAFETY PRECAUTIONS

When using this appliance, especially when children are present, basic safety precautions should always be followed including the following:

1. Read all instructions carefully before use and keep them for future reference.
2. Ensure that the voltage range shown on the appliance rating label corresponds to the main power supply's voltage.
3. This appliance is suitable for normal household use only and not for commercial use.
4. This product must not be left unattended while it is connected to the main supply.
5. Use the appliance only on a level working surface.
6. Do not operate the appliance with a damaged power cord or power plug. Return the appliance for examination, adjustments, or repair.
7. The use of extra attachments not recommended by the manufacturer may cause fire, electrical shock, or injury.
8. Unplug the unit when not in use and whenever you clean or move the unit.
9. To disconnect the appliance, grip power plug and pull from power outlet. Never yank on power cord.
10. Only authorized service personnel should be allowed to undertake repairs on electrical appliances. Repairs undertaken by unauthorized persons may result in damage to the appliance and/or accidents or injury to the user.
11. If the power supply cord is damaged, have it replaced by the manufacturer or its service agent or a similarly qualified person in order to avoid a hazard.
12. This appliance should not be used by the physically and mentally challenged or those with slow response (including children) unless sufficient supervision is provided during operation.

## PART IDENTIFICATION



- 1) Base / Housing
- 2) Grill Plate
- 3) Thermostat

- 4) Glass Lid
- 5) Hot Pot
- 6) Hot Pot Glass Lid

## SPECIFICATIONS

<b>MODEL</b>	<b>CCG-EL36N</b>
<b>RATED VOLTAGE</b>	<b>220-240V~</b>
<b>RATED POWER</b>	<b>1400W</b>
<b>FREQUENCY</b>	<b>50Hz</b>

## OPERATING INSTRUCTIONS

- Before using for the first time, wipe the grill plate with a wet soft cloth and wash the hot pot and glass lid with lukewarm water. Dry thoroughly before using.
- Insert the plug into the main power supply, and then switch ON the appliance.
- Place the hot pot in the mid of the heating plate then you may adjust the temperature while cooking.
- When the indicator light is switched on, it is warming up automatically. When Indication light is switched off, it means your desired temperature has already been achieved.
- Before cooking, it is recommended to adjust the temperature to that desired or to the maximum. You may start cooking after 10 minutes when optimal temperature has been achieved.
- While cooking, it will stop heating when the temperature reached the max temperature and restart again after about 1 - 2 minutes.
- After cooking, ensure the adjustable thermostat is in "OFF" position. Only then should you remove the power plug from the power supply.

### **CAUTION:**

- Do not scratch the grill surface. Use non-metallic cleaning implements only.
- Do not touch hot surfaces. Use oven mitts and hold to the grill plate handle to move it while the appliance is hot. Always place appliance on a heat resistant surface.
- Be extremely careful when moving the grill plate containing hot liquids or oil.

## CARE AND CLEANING

- Always disconnect the appliance from the power supply before cleaning.
- Always allow your appliance to cool completely before cleaning.
- Never immerse the appliance completely in water or any other liquids.
- Wash the hot pot and the glass lid with soapy lukewarm water and dry thoroughly before storage.
- Only wipe the grill plate with soapy cloth and wipe continuously with dry cloth until it is clean.
- Don't wash or immerse the body and other internal components into water or other liquids.



This marking indicates that this product should not be disposed with other household wastes throughout the nation. To prevent possible harm to the environment or human health from uncontrolled waste disposal, recycle it responsibly to promote the sustainable reuse of material resources. To return your used device, please use the return and collection systems or contact the retailer where the product was purchased. They can take this product for environmental safe recycling.



Marketed by:

**CORNELL SALES & SERVICE SDN BHD** (604369-P)

Lot 11B, Jalan 223, Section 51A,  
46100 Petaling Jaya,  
Selangor Darul Ehsan, Malaysia.

InfoLine: 1-800-881-770  
[www.cornellappliances.com](http://www.cornellappliances.com)