

CORNELL[®]
a simpler life

Thank
You,
My Lady



A Time To Be Grateful
And To Think Of The Special Lady
Who Have Touched Our Lives.



CORNELL[®]
HOME APPLIANCES
PROMO



March 2014 - May 2014

Cornell
NEW PRODUCT
PROMO



La Isla Romantica
Watermelon, Apricot and Strawberry

What You Need :

- 2 cups of roughly chopped watermelon
- 6 seeded apricot
- Stoned/punned strawberries, hulled

How to Make :

- Process all ingredients through Cornell Personal Blender or Juice Extractor and serve immediately.

MAKES APPROX 2 CUPS

Personal Blender
CPB-E600P,
CPB-E600G & CPB-E600B
NOW RM 99.00
WM (RCP RM 129.00)
NOW RM 109.00
EM (RCP RM 139.00)



CPB-E600P



CPB-E600G

CPB-E600B



Vogue-design With Colourful ABS Body & Ice Crush Function

Non-slip Grip Feet To Keep The Unit Firmly In Place

Ideal Traveler Choice

600/300ml BPA-free Bottle And Lid



Juice Extractor
CJX-SP480

NOW RM 99.00
WM (RCP RM 119.00)
NOW RM 109.00
EM (RCP RM 129.00)



Stainless Steel Blade & Filter

Transparent Container

Detachable For Easy Cleaning



Double Chopper
CFC-E300TB

NOW RM 119.00
WM (RCP RM 139.00)
NOW RM 139.00
EM (RCP RM 159.00)



Convenient Water Inlet

Double Blade for Fine Chopping Function

Accessories



Thermo Pot
CTP-E45T

NOW RM 189.00
WM (RCP RM 209.00)
NOW RM 209.00
EM (RCP RM 229.00)



4 Temperature Setting 60°C, 85°C, 98°C & Smart Cool

Auto Water Dispenser

Water Level Display With Illumination

304 Stainless Steel Inner Pot

Toaster
CT-E48C

NOW RM 89.00
WM (RCP RM 99.00)
NOW RM 99.00
EM (RCP RM 109.00)



Slide-out Crumb Tray

With Defrost & Reheat Function

4 Slice Toasting

Convenient Cord Storage

CORNELL
HOME APPLIANCES
PROMO

Happy Women's Day & Happy Mother's Day



CSM-TS40
Sandwich Maker
NOW RM 49.00
WM (RCP RM 59.00)
NOW RM 59.00
EM (RCP RM 69.00)



5L
Thermo Pot
CTP-TS50P(CG)
NOW RM 129.00
WM (RCP RM 139.00)
NOW RM 139.00
EM (RCP RM 159.00)



4L
Thermo Pot
CTP-E40P
NOW RM 159.00
WM (RCP RM 179.00)
NOW RM 179.00
EM (RCP RM 199.00)



CT-2C
Pop-up toaster
NOW RM 49.00
WM (RCP RM 69.00)
NOW RM 59.00
EM (RCP RM 79.00)



4.2L
Thermo Pot
CTP-TS42P(CG)
NOW RM 119.00
WM (RCP RM 129.00)
NOW RM 129.00
EM (RCP RM 149.00)



3.3L
Thermo Pot
CTP-E35P
NOW RM 149.00
WM (RCP RM 169.00)
NOW RM 169.00
EM (RCP RM 189.00)



1.7L
Jug Kettle
CJK-E171SS
NOW RM 69.00
WM (RCP RM 79.00)
NOW RM 79.00
EM (RCP RM 89.00)



1.2L
Juice Extractor
CJX-E500
NOW RM 119.00
WM (RCP RM 139.00)
NOW RM 129.00
EM (RCP RM 159.00)



3 in 1
Juice Extractor
CJX-SP450
NOW RM 119.00
WM (RCP RM 149.00)
NOW RM 129.00
EM (RCP RM 169.00)



CFS-EL13
Food Steamer
NOW RM 129.00
WM (RCP RM 159.00)
NOW RM 139.00
EM (RCP RM 179.00)



Dry Iron
CI-SP3D
NOW RM 35.00
WM (RCP RM 45.00)
NOW RM 39.00
EM (RCP RM 49.00)



Classic Iron
CI-EL20C
NOW RM 59.00
WM (RCP RM 69.00)
NOW RM 69.00
EM (RCP RM 79.00)



Dry Iron
CI-SP2H
NOW RM 30.00
WM (RCP RM 35.00)
NOW RM 35.00
EM (RCP RM 39.00)



Dry Iron
CI-SP1H
NOW RM 30.00
WM (RCP RM 35.00)
NOW RM 35.00
EM (RCP RM 39.00)



Steam Iron
CIS-SP12S
NOW RM 49.00
WM (RCP RM 69.00)
NOW RM 59.00
EM (RCP RM 79.00)



1200W
Hair Dryer
CHD-E1200W
NOW RM 39.00
WM (RCP RM 49.00)
NOW RM 49.00
EM (RCP RM 59.00)



1800W
Hair Dryer
CHD-E2000W
NOW RM 69.00
WM (RCP RM 89.00)
NOW RM 79.00
EM (RCP RM 99.00)

Cornell HOME APPLIANCES PROMO



**CMP-TS80W
Mini Chopper**
NOW RM 79.00
WM (RCP RM 89.00)
NOW RM 89.00
EM (RCP RM 99.00)



4.2L
**CKT-42
Stainless Steel
Kettle**
NOW RM 109.00
WM (RCP RM 129.00)
NOW RM 119.00
EM (RCP RM 139.00)



5.0L
**CSC-D50C
Slow Cooker**
NOW RM 139.00
WM (RCP RM 159.00)
NOW RM 159.00
EM (RCP RM 179.00)



3.0L
**CSC-D35C
Slow Cooker**
NOW RM 109.00
WM (RCP RM 129.00)
NOW RM 119.00
EM (RCP RM 139.00)



1.5L
**CSC-D15C
Slow Cooker**
NOW RM 89.00
WM (RCP RM 109.00)
NOW RM 99.00
EM (RCP RM 119.00)



2.8L
**CRC-CS128GY
Conventional
Rice Cooker**
NOW RM 109.00
WM (RCP RM 129.00)
NOW RM 119.00
EM (RCP RM 139.00)



1.8L
**CRC-CS118GY
Conventional
Rice Cooker**
NOW RM 89.00
WM (RCP RM 109.00)
NOW RM 99.00
EM (RCP RM 119.00)



1.8L
**CRC-CS17C
Conventional
Rice Cooker**
NOW RM 79.00
WM (RCP RM 99.00)
NOW RM 89.00
EM (RCP RM 109.00)



1.8L
**CRC-JE19P
Jar Rice Cooker**
NOW RM 109.00
WM (RCP RM 129.00)
NOW RM 119.00
EM (RCP RM 139.00)



3.5L
**CMC-S350
Multi Cooker**
NOW RM 119.00
WM (RCP RM 149.00)
NOW RM 129.00
EM (RCP RM 169.00)



3.8L
**CMC-E381
Multi Cooker**
NOW RM 149.00
WM (RCP RM 179.00)
NOW RM 169.00
EM (RCP RM 199.00)



1.0L
**CMC-E100
Mini Cooker**
NOW RM 129.00
WM (RCP RM 149.00)
NOW RM 139.00
EM (RCP RM 169.00)



**CDF-S3502
Deep Fryer**
NOW RM 199.00
WM (RCP RM 239.00)
NOW RM 219.00
EM (RCP RM 269.00)



**CAV-DV207Xa
DVD PLAYER**
NOW RM 115.00
WM (RCP RM 125.00)
NOW RM 129.00
EM (RCP RM 139.00)



**CVC-TS12W
Vacuum Cleaner**
NOW RM 159.00
WM (RCP RM 179.00)
NOW RM 179.00
EM (RCP RM 199.00)



**CVC-EL1600C
Vacuum Cleaner**
NOW RM 259.00
WM (RCP RM 299.00)
NOW RM 289.00
EM (RCP RM 329.00)



**CVC-PH2000CH
Vacuum Cleaner**
NOW RM 359.00
WM (RCP RM 399.00)
NOW RM 399.00
EM (RCP RM 429.00)



Chest Freezer

200L CFZ-245E NOW RM 1,199.00 <small>WM (RCP RM 1,299.00)</small> NOW RM 1,329.00 <small>EM (RCP RM 1,429.00)</small>	300L CFZ-355E NOW RM 1,499.00 <small>WM (RCP RM 1,599.00)</small> NOW RM 1,669.00 <small>EM (RCP RM 1,719.00)</small>
400L CFZ-465E NOW RM 1,799.00 <small>WM (RCP RM 1,899.00)</small> NOW RM 1,999.00 <small>EM (RCP RM 2,109.00)</small>	560L CFZ-575E NOW RM 2,299.00 <small>WM (RCP RM 2,399.00)</small> NOW RM 2,559.00 <small>EM (RCP RM 2,669.00)</small>



Chest Freezer

131L
CFZ-150C
NOW RM 939.00
WM (RCP RM 1,039.00)
NOW RM 1,039.00
EM (RCP RM 1,139.00)

227L
CFZ-280C
NOW RM 1,099.00
WM (RCP RM 1,199.00)
NOW RM 1,219.00
EM (RCP RM 1,319.00)

CORNELL[®] BAKING CORNER PROMO



Now
RM 399.00 (WM)
RM 439.00 (EM) **New**

Capacity 46L
Model: CEO-E46SL
Std RCP: RM459 (WM) / RM509 (EM)

Now
RM 339.00 (WM)
RM 379.00 (EM) **New**

Capacity 36L
Model: CEO-E36SL
Std RCP: RM399 (WM) / RM439 (EM)

Now
RM 249.00 (WM)
RM 279.00 (EM) **New**

Capacity 26L
Model: CEO-E26SL
Std RCP: RM299 (WM) / RM329 (EM)

Now
RM 439.00 (WM)
RM 489.00 (EM)

Capacity 43L
Model: CEO-E43BL
Std RCP: RM479 (WM) / RM529 (EM)

Now
RM 369.00 (WM)
RM 409.00 (EM)

Capacity 33L
Model: CEO-E33BL
Std RCP: RM399 (WM) / RM439 (EM)

Now
RM 359.00 (WM)
RM 399.00 (EM)

Capacity 42L
Model: CEO-TS42L
Std RCP: RM399 (WM) / RM469 (EM)

Now
RM 309.00 (WM)
RM 339.00 (EM)

Capacity 35L
Model: CEO-TS35L
Std RCP: RM379 (WM) / RM419 (EM)

Now
RM 219.00 (WM)
RM 239.00 (EM)

Capacity 28L
Model: CEO-TS30L
Std RCP: RM279 (WM) / RM309 (EM)

Now
RM 189.00 (WM)
RM 209.00 (EM)

Capacity 24L
Model: CEO-S25BL
Std RCP: RM219 (WM) / RM249 (EM)

Now
RM 159.00 (WM)
RM 179.00 (EM)

Capacity 19L
Model: CEO-TS19L
Std RCP: RM179 (WM) / RM199 (EM)

Now
RM 99.00 (WM)
RM 109.00 (EM)

Capacity 9L
Model: CTO-12HP
Std RCP: RM109 (WM) / RM119 (EM)

Now
RM 499.00 (WM)
RM 559.00 (EM)

Capacity 4.2L stainless steel bowl
Model: CSM-EL688S
Standard RCP: RM599 (WM) / RM669 (EM)

Now
RM 109.00 (WM)
RM 119.00 (EM)

Capacity 2.5L bowl
Model: CSM-S007HP
Std RCP: RM139 (WM) / RM159 (EM)

Now
RM 79.00 (WM)
RM 89.00 (EM)

Model: CHM-S808
Std RCP: RM89 (WM) / RM99 (EM)



Seafood Pie



Recipe by Debbie Teoh

[Topping Ingredients]

1kg floury potatoes (such as russet, boiled till tender & peeled), 50 ml thickened cream, 55 g butter, 1 tbsp Dijon mustard, 30g parmesan cheese, some salt & pepper to taste

[Roux Ingredients]

125g butter + 85g plain flour, 250 ml cream, 200 ml milk, 2 fresh bay leaves, small bunch fresh dill (chopped)

[Filling]

2 cloves garlic (chopped), 2 tsp butter, 680-700g fish fillet (cut into chunks and marinate with black pepper and salt), 10 pcs crabstick, 75-100g mature Cheddar (grated)

[Method]

1. To make topping: Cook the potatoes in a pan of boiling salted water for 20 minutes or until tender. Peel off the skin and mash the potatoes with all topping ingredients until smooth. (pic 1)



2. To make the roux: Melt butter in a saucepan over a medium-low heat. Add the flour, stir until it forms a smooth paste, then cook, stirring constantly for 2 minutes. Off the heat, add a little of the cream and milk and beat until smooth. Over a low heat, gradually add the remaining milk, stirring until smooth. Add the bay leaves and simmer for 5 minutes, then remove from the heat, season well and stir in dill. Cool slightly.
3. To prepare filling: Heat butter in a wok, sauté garlic until fragrant, add the fish slices and sauté for about 30 seconds to 1 minute. Do not fully cook the fish. This is to get rid of any fishy smell. (pic 2)
4. Pre-heat CORNELL Electric Oven @200°C.
5. Place the fish and crabstick in an ovenproof dish, pour over the sauce and mix well. (pic 3)
6. Scatter over with the grated cheese, pipe over the mashed potato. Bake the pie in CORNELL Electric Oven for 15-20 minutes or until it is bubbling underneath and golden brown on top. Serve immediately. (pic 4-5)

Cornell
KITCHEN APPLIANCES
PROMO

**Built-in Kitchen
Appliances Combo Package**

PWP*
Water Heater

COMBO 1



5 YEARS
MOTOR
WARRANTY

Up To
1500W/TW
SUCTION
POWER

WM **NOW**
RM **3,099**
RCP RM 4,797.00



CMH-PE43SP

EM **NOW**
RM **3,449**
RCP RM 5,337.00



CBH-G7813SF

• Chimney Hood + 3-Burner Built-in Hob
+ 8 Functions Built-in Oven



CBO-S81E5

COMBO 2



5 YEARS
MOTOR
WARRANTY

Up To
1500W/TW
SUCTION
POWER

WM **NOW**
RM **2,599**
RCP RM 4,097.00



CMH-PC96G

EM **NOW**
RM **2,889**
RCP RM 4,557.00



CBH-G7812SF

• Chimney Hood + 2-Burner Built-in Hob
+ 6 Functions Built-in Oven



CBO-S61M5

COMBO 3



5 YEARS
MOTOR
WARRANTY

Up To
1500W/TW
SUCTION
POWER

WM **NOW**
RM **2,299**
RCP RM 3,957.00



CMH-PC488G

EM **NOW**
RM **2,559**
RCP RM 4,397.00



CBH-G7802CL

• Chimney Hood + 2-Burner Built-in Hob
+ 6 Functions Built-in Oven



CBO-S61M5



Cornell KITCHEN APPLIANCES PROMO

Built-in Kitchen Appliances Package

Entitled
PWP*



CMH-PC96G
Std RCP : RM 1,299.00 (WM)
RM 1,449.00 (EM)



CMH-PE43SP
Std RCP : RM 1,599.00 (WM)
RM 1,779.00 (EM)



CMH-PC488G
Std RCP : RM 1,499.00 (WM)
RM 1,669.00 (EM)



CBH-G7802CL
Std RCP : RM 459.00 (WM)
RM 509.00 (EM)

A+1	Standard RCP	NOW
WM	RM 1,758.00	RM 1,409.00
EM	RM 1,958.00	RM 1,569.00

B+1	Standard RCP	NOW
WM	RM 2,058.00	RM 1,649.00
EM	RM 2,288.00	RM 1,829.00

C+1	Standard RCP	NOW
WM	RM 1,958.00	RM 1,489.00
EM	RM 2,178.00	RM 1,659.00



CBH-GC7812SF
Std RCP : RM 799.00 (WM)
RM 889.00 (EM)

A+2	Standard RCP	NOW
WM	RM 2,098.00	RM 1,679.00
EM	RM 2,338.00	RM 1,869.00

B+2	Standard RCP	NOW
WM	RM 2,398.00	RM 1,919.00
EM	RM 2,668.00	RM 2,129.00

C+2	Standard RCP	NOW
WM	RM 2,298.00	RM 1,839.00
EM	RM 2,558.00	RM 2,049.00



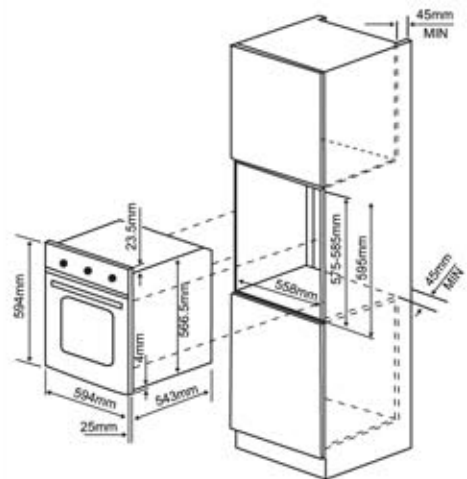
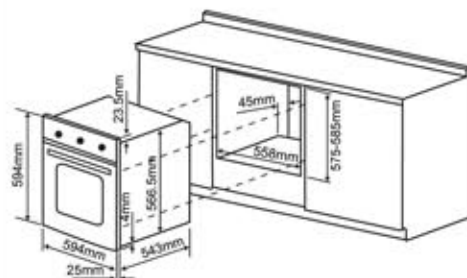
CBH-GC7813SF
Std RCP : RM 899.00 (WM)
RM 999.00 (EM)

A+3	Standard RCP	NOW
WM	RM 2,198.00	RM 1,759.00
EM	RM 2,448.00	RM 1,959.00

B+3	Standard RCP	NOW
WM	RM 2,498.00	RM 1,999.00
EM	RM 2,778.00	RM 2,219.00

C+3	Standard RCP	NOW
WM	RM 2,398.00	RM 1,919.00
EM	RM 2,668.00	RM 2,139.00

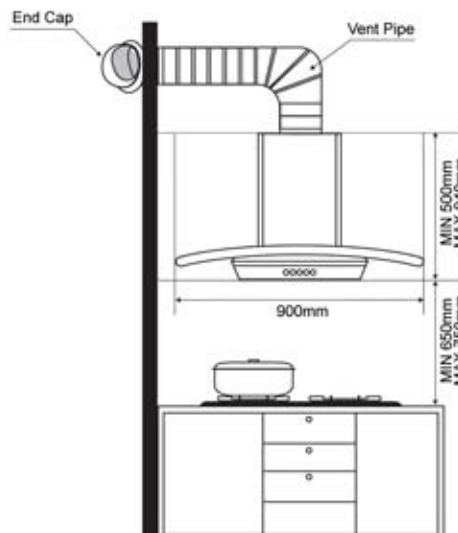
Installation of Built-in Oven



- In order to ensure that the built-in appliance functions properly, the cabinet containing it must be appropriate. The figures above give the dimensions of the cut-out for installation under the counter and in a wall cabinet unit.
- The above dimensions apply to all Cornell Built-in Oven models.

Installation of Chimney Hood

CMH-PE43SP / CMH-PC96G / CMH-PC488G



- Minimum hood distance above cooktop must not be less than 650mm.
- A maximum of 750mm above the cooktop is highly recommended for best capture of cooking impurities.
- Distance over 750mm above the cooktop is at the installer's and user's discretion - providing that ceiling height and flue length permit.

Built-in Hob Size

MODEL	CBH-GC7813SF	CBH-GC7812SF	CBH-G7802CL
PRODUCT DIMENSION (W X D X H) mm	780 x 450 x 65	780 x 450 x 65	780 x 450 x 65
BUILT-IN DIMENSION (W X D) mm	675 x 375	675 x 375	675 x 375
SAFETY DEVICE	YES	YES	NO
FLAME OUTPUT (KW)	4.5(L/R), 2.5(C)	4.5	4.5
Trivet	Cast Iron	Cast Iron	Enamel Coated

* It is advisable to use actual product for measurement prior to installation.

* All offer prices excluding installation • Promotion while stocks last • Offer and specifications are subject to change without prior notice.

CORNELL
HOME APPLIANCES
PROMO

Purchase with Purchase



With DC Silent Pump

CIS-R33SP
Instant Shower

	Standard RCP	PWP
WM	RM 859.00	RM 659.00
EM	RM 959.00	RM 739.00



With AC Booster Pump

CIS-ED9888P
Instant Shower

	Standard RCP	PWP
WM	RM 499.00	RM 399.00
EM	RM 559.00	RM 429.00



CIS-ED9800
Instant Shower

	Standard RCP	PWP
WM	RM 299.00	RM 219.00
EM	RM 329.00	RM 239.00



CIS-E7300
Instant Shower

	Standard RCP	PWP
WM	RM 279.00	RM 179.00
EM	RM 309.00	RM 189.00

- EXPRESS COOK
- MEMORY FUNCTION
- INNER LIGHT



CBO-1056SIX
10 functions Built-in Oven

	Standard RCP	PWP
WM	RM 2,999.00	RM 2,199.00
EM	RM 3,329.00	RM 2,449.00

- CONVENTIONAL HEATING
- FAST COOKING
- MULTI-COOKING
- PIZZA SETTING
- DELICATE COOKING
- TOP HEATING
- GRILL
- FAN ASSISTED GRILL
- BAKING
- DEFROST



CBO-856EIX
8 functions Built-in Oven

	Standard RCP	PWP
WM	RM 2,399.00	RM 1,699.00
EM	RM 2,669.00	RM 1,889.00

- CONVENTIONAL HEATING
- DELICATE COOKING
- TOP HEATING
- GRILL
- FAN ASSISTED GRILL
- BAKING
- DEFROST
- INNER LIGHT



CBO-S81E5
8 functions Built-in Oven

	Standard RCP	PWP
WM	RM 2,299.00	RM 1,559.00
EM	RM 2,559.00	RM 1,739.00

- CONVENTIONAL HEATING
- DELICATE COOKING
- TOP HEATING
- GRILL
- FAN ASSISTED GRILL
- BAKING
- DEFROST
- INNER LIGHT



CBO-656IX
6 functions Built-in Oven

	Standard RCP	PWP
WM	RM 2,099.00	RM 1,399.00
EM	RM 2,329.00	RM 1,559.00

- CONVENTIONAL HEATING
- FAST COOKING
- TOP HEATING
- GRILL
- FAN ASSISTED GRILL
- INNER LIGHT



CBO-S61M5
6 functions Built-in Oven

	Standard RCP	PWP
WM	RM 1,999.00	RM 1,299.00
EM	RM 2,219.00	RM 1,449.00

- CONVENTIONAL HEATING
- FAST COOKING
- TOP HEATING
- GRILL
- FAN ASSISTED GRILL
- INNER LIGHT

* PWP water heater only for every combo purchase.

* With every purchase of Cornell Built-in Hob with Hood, you are entitled to purchase the Built-in Oven shown above at PWP price.

CORNELL INSTANT SHOWER PROMO

The best way to de-stress may just be a simple shower at the end of a hectic day with Cornell Instant Shower.

SAFETY FEATURES

- **Upgraded UL Approved Heating Technology**
- UL approved highly reliable heating element.
- **Triple Safety Protection**
- Built-in auto water flow-sensor device switch.
- Built-in 15 mA sensitivity electronic ELCB.
- Upgraded Anti-scalding thermal safety design.
- **Splash Proof Protection IP25**
- **Built-in Earth Indicator**
- **Built-In Lightning Surge Protector (ELCB)**
- **Electronic Variable Power Temperature Control**
- **3-in-1 Compact Stop, Flow and Filter Valve**
- **Suitable for High and Low **Water Pressure (min 0.1 Bar - max 6 Bar)**



WITH INVERTER PUMP
50% ENERGY SAVER



10 YEARS
WARRANTY
ON ANTI-TANK
LEAKAGE

7 YEARS
WARRANTY
ON HEATING
ELEMENT



Electronic
Power
Control



Triple Safety
System



High Impact,
Splash-Proof
Casing



Lightning
Protector



With DC Silent Pump

CIS-R335P
Standard RCP **NOW**

WM	RM 859.00	RM 759.00
EM	RM 959.00	RM 839.00



With AC Booster Pump

CIS-222AP
Standard RCP **NOW**

WM	RM 599.00	RM 499.00
EM	RM 669.00	RM 559.00



CIS-101WS
Standard RCP **NOW**

WM	RM 379.00	RM 339.00
EM	RM 419.00	RM 379.00



With DC Silent Pump

CIS-ED98385P
Standard RCP **NOW**

WM	RM 599.00	RM 529.00
EM	RM 669.00	RM 589.00



With AC Booster Pump

CIS-ED9888P
Standard RCP **NOW**

WM	RM 499.00	RM 459.00
EM	RM 559.00	RM 509.00

5 SPRAY PATTERNS



With AC Booster Pump

CIS-ED9800
Standard RCP **NOW**

WM	RM 299.00	RM 269.00
EM	RM 329.00	RM 299.00



With AC Booster Pump

CIS-E7888AP
Standard RCP **NOW**

WM	RM 459.00	RM 419.00
EM	RM 509.00	RM 469.00



CIS-E7300
Standard RCP **NOW**

WM	RM 279.00	RM 249.00
EM	RM 309.00	RM 279.00

* Apply on DC Pump only.

** Water level pressure subject to change according to the condition of usage.

Cornell
AIR TREATMENT APPLIANCES
PROMO

Not only keeping you cool,
a quality breeze gives
you a fresh air for life.

Retro Fan
3 YEARS LIMITED WARRANTY
60W



CFF-16CP

Standard RCP **NOW**

WM	RM 249.00	RM 219.00
EM	RM 279.00	RM 239.00

3-In-1 Magic Fan
3 YEARS LIMITED WARRANTY
90W



CFC-936C

Standard RCP **NOW**

WM	RM 699.00	RM 599.00
EM	RM 779.00	RM 669.00

Tower Fan
3 YEARS LIMITED WARRANTY
45W



CTF-E43M

Standard RCP **NOW**

WM	RM 219.00	RM 199.00
EM	RM 239.00	RM 219.00

Cooler Fan
3 YEARS LIMITED WARRANTY
45W



CAC-31

Standard RCP **NOW**

WM	RM 539.00	RM 439.00
EM	RM 599.00	RM 489.00



With Remote Control

3 YEARS LIMITED WARRANTY



Tower Fan CTF-P53D

Standard RCP **NOW**

WM	RM 419.00	RM 379.00
EM	RM 469.00	RM 419.00



3 YEARS LIMITED WARRANTY



Air Cooler CAC-65

Standard RCP **NOW**

WM	RM 599.00	RM 499.00
EM	RM 669.00	RM 559.00



Misty Fan CMF-E25

Standard RCP **NOW**

WM	RM 439.00	RM 399.00
EM	RM 489.00	RM 439.00

With Remote Control



60W



3 YEARS LIMITED WARRANTY



Stand Fan CFN-E163T

Standard RCP **NOW**

WM	RM 229.00	RM 189.00
EM	RM 259.00	RM 209.00

Jar Rice Cooker



CRC-JP188SS



CRC-JP108SS



10 Years Warranty
Stainless Steel Rice
Pot*



Rice, Porridge, Soup,
Steam & Keep
Warm Functions



Spherical Surface
Radiation Lid Provides Even
Dewdrops For
Perfect Rice Texture



Energy Saving Dual
Heating
Element Design

Buffalo Inner Pot

- ▶ High thermal conductivity outer layer for fast and even heat transmission.
- ▶ Inner layer is space-tech grade stainless steel, excellent heat retention.
- ▶ Does not stick or charred easily, hygienic and easy to clean.
- ▶ Tough and not easily deformed.
- ▶ Not easily scratched. No chemical reaction.
- ▶ Safe and healthy.



Classic Rice Cooker



CRC-CP281SS



CRC-CP181SS



10 Years Warranty
Stainless Steel Rice
Pot*



Stainless Steel Lid



Condensation
Collector



Convenient Spoon
& Lid Holder

**FREE
RECIPE**



Japanese
Scallop Rice



Sticky Rice
with Mushroom



Seafood
Paella



Mapo
Tofu



Tulang Soup
with Rice



White
Fungus Desert

* Terms & Conditions Apply.

FREE

a pack of oriented sauce*.



* Terms & Conditions Apply.



CRC-JP188SS
Capacity 1.8L

	Standard RCP	NOW
WM	RM 469.00	RM 399.00
EM	RM 519.00	RM 439.00



CRC-JP108SS
Capacity 1.0L

	Standard RCP	NOW
WM	RM 369.00	RM 299.00
EM	RM 409.00	RM 329.00



BUFFALO
Stainless Steel
Rice Pot

10 YEARS WARRANTY*



CRC-CP281SS
Capacity 2.8L

	Standard RCP	NOW
WM	RM 569.00	RM 499.00
EM	RM 629.00	RM 559.00



CRC-CP181SS
Capacity 1.8L

	Standard RCP	NOW
WM	RM 369.00	RM 299.00
EM	RM 409.00	RM 329.00

* Terms & Conditions Apply.
* Disclaimer: Free Lee Kum Kee oriented sauce is while stock lasts. The mention sauce insert image is for illustration purpose only. Every Cornell Buffalo Rice Cooker is pre-packed with 1 pack of Lee Kum Kee oriented sauce with random flavour.



Authorized Dealer