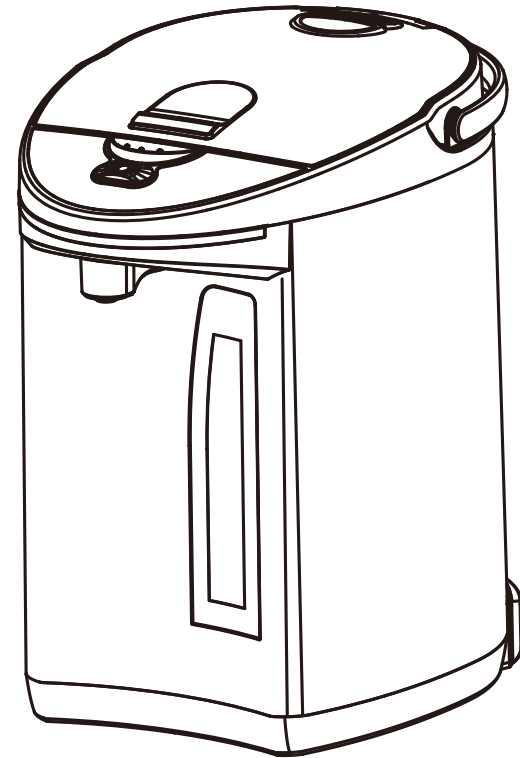


CORnell®

USER MANUAL



THERMO POT

CTP-E50T

CORnell®

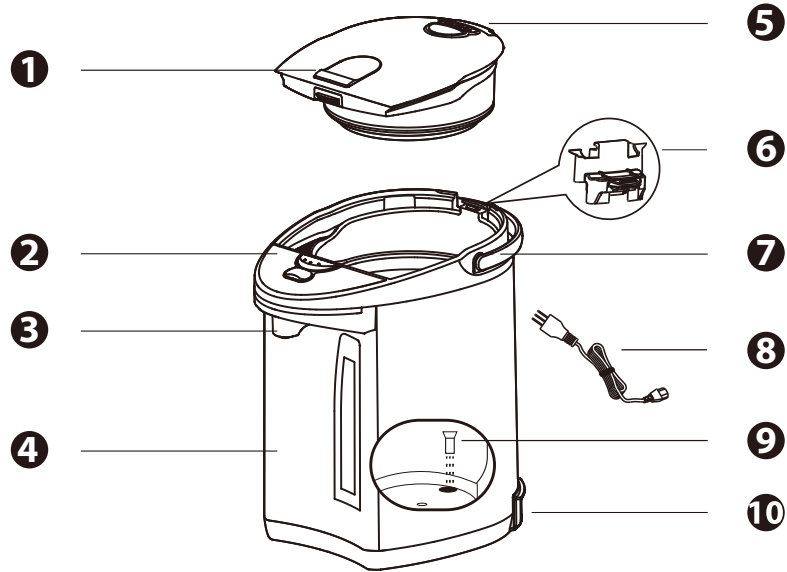
Marketed by:

CORNELL SALES & SERVICE SDN BHD (604369-P)

Lot 11B, Jalan 223, Section 51A,
46100 Petaling Jaya,
Selangor Darul Ehsan, Malaysia.

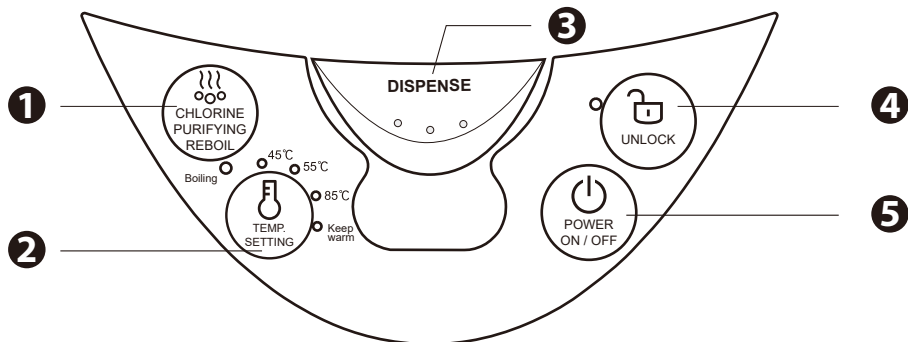
InfoLine: 1-800-881-770
www.cornellappliances.com

PART NAME



- | | |
|------------------|-------------------------|
| 1. Lid latch | 6. Cover release button |
| 2. Control panel | 7. Handle |
| 3. Water outlet | 8. Power cord |
| 4. Body | 9. Filter |
| 5. Steam vent | 10. Power socket |

CONTROL PANEL



- | | |
|-------------------------------|-------------------------|
| 1. Reboil button | 4. Unlock / lock button |
| 2. Temperature setting button | 5. Turn on / off button |
| 3. Water dispense button | |

SAFETY INSTRUCTION

1. Avoid contact with steam outlet from steam vent; or when the lid is lifted or pouring out hot water.
2. Always unplug unit from the power outlet when not in use. Unplug and wait unit cool before cleaning.
3. Take extreme care when moving the unit if it contains hot water.
4. Always use the unit on a flat, stable and heat resistance surface.
5. Never overfill-boiling water may splash out, and cause burn(water full indicator is the highest capacity). Always make sure that the lid is clipped in place during use.

Warning: do not open the lid while water is boiling

6. Never immerse the unit or base in water other liquids.
7. Always keep the unit away from the cookers, hotplates or stoves.
8. Keep hands clear of the water outlet during serve in case scald.
9. This unit is for boiling water only.
10. With any indication of malfunction, or power cord and plug is damaged, stop to use immediately. Do not try to repair by yourself. Take it to authorized maintenance center to repair.
11. Keep small children away from the unit and do not let the power cord hang down over the worktop edge child could grab it and pull the unit down.

OPERATION INSTRUCTION

Remove all package and labels before using the unit

BOILING WATER

1. Open the lid and fill water till the full mark.
2. Close the lid tightly and plug in the power cord to wall power.
3. "Boiling" lamp will flash indicate it's in the standby mode.
4. Press the "Power on/off" button to start boiling.
5. "Boiling" lamp will stay on indicate the boiling is process.
6. When the boiling is finish, "Keep warm" lamp will stay on.

SETTING KEEP WARM TEMPERATURE

1. Press "Keep warm setting" to select demand keep warm temp.
2. The temp. lamp will keep flashing till the water reach demand temp and then stay on.

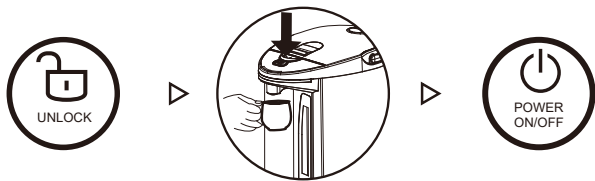
** After finish boiling, press the "Power on/off" button to activate the standby mode to allow water cool down naturally to room temp.*

** In the standby mode, the "boiling" lamp will stay in flash.*

** The default keep warm temp. is 55°C.*

WATER DISPENSE

1. Press "Unlock" button to unlock the unit.
2. Press "Dispense" button to obtain water.



** The water dispense function is workable in standby mode.*

OVER-HEATING PROTECTION

If unit start boiling without fill in water(dry-boil), the temperature inside will go up untill trigger the over-heating protection.

In this condition, the unit will shut down automatically, all indicator lamp will turn off. To make the unit back to normal status, fill in cold water and wait till the "Boiling" lamp back to flash.

CARE AND CLEANING

Before cleaning: disconnect from the power and allow to cool, remove lid and empty any water.

TO CLEAN THE EXTERIOR

Wipe with a damp cloth and mild detergent then wipe dry with a soft cloth. Never use any chemical, steel wool or abrasive cleaners to clean the exterior of the unit. It will damage the surface.

TO CLEAN THE INTERIOR

Clean regularly with a sponge or damp cloth.

Dry with a soft cloth.

The interior can become discolored because of deposits of limescale and particles after porlonged use. This is not harmful to health, but may be cleaned as follows:

1. Fill with water, adding 30g of citric acid or some lemon slices.
2. Start boiling water and then keep water warm at 85°C for 3-4 hours.
3. Then empty the unit, normally the limescale will all gone.
4. Before back to normal use the unit, it's recommend to fill the unit then boil and emptied again to wipe of the acid smell/taste.

TROUBLESHOOTING

PROBLEM	CAUSE	SOLUTION
No power	Power cord do not plug in wall power very well or body do not stand on the base completely.	Check connection of power cord. Check connection between body and base.
Water flowing out from unit	Water overfill	Do not fill water over the FULL line
White residues in the water	Mineral deposit (not a defect of unit)	Clean the unit according care and cleaning section.
Boiling sound is excessively loud	Interior get too many limescale	Clean the unit according care and cleaning section.

SPECIFICATION

Model No.	CTP-E50T
Voltage	220-240V~ 50/60Hz
Power	750-892W
Capacity	5.0 Litre