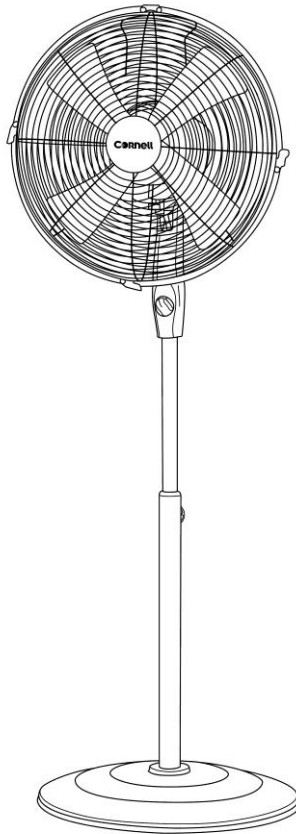


CORnell[®]

User Manual



16" Classic Fan

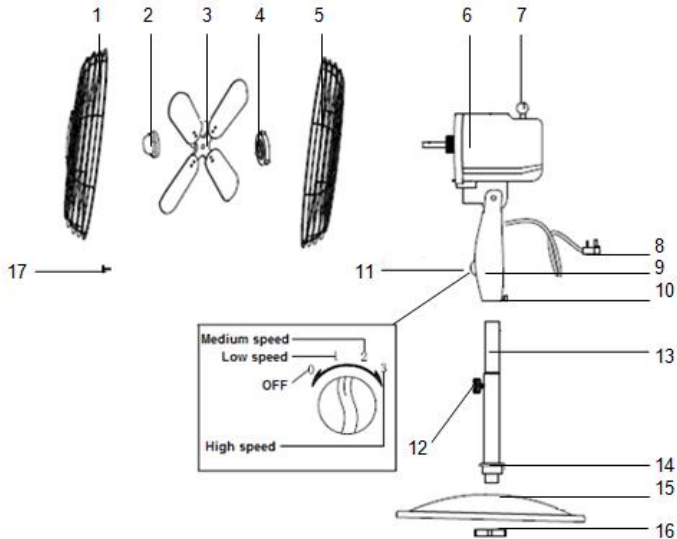
CCF-169CP

SAFETY REGULATION

- Read all the instruction carefully. Keep this user manual for future reference.
- This appliance is not intended for use by persons (including children) with reduced physical, sensory or mental capabilities, or lack of experience and knowledge, unless they have been given supervision or instruction concerning the use of appliance by a person responsible for their safety.
- Use only original accessories supplied.
- The current voltage which indicates on the plate must correspond to your local voltage.
- The appliance should be used only on condition that the type of power supply corresponds to the marking label. Otherwise, it will not work or even be damaged.
- Never use the appliance inside the bath, under a shower or over a wash basin full of water.
- If the appliance falls into water, pull the power plug out from the power socket immediately.
- Never use the appliance unless it is fully assembled.
- Do not overload outlets or extension cords. It can result in fire or electric shock.
- Do not use the appliance if the power supply cord or plug has been damaged.
- Unplug from outlet when not in use, before putting on or taking off parts, and before cleaning.
- The use of accessory attachments not recommended by the appliance manufacturer may cause injuries.

- Do not immerse the cord, plug or appliance in water or other types of liquid and do not pour water onto it to avoid from fire, electrical shock or personal injury.
- To protect against risk of electrical shock, do not force any foreign objects such as pins and wires into any openings.

PARTS IDENTIFICATION



1. Front Guard
2. Blade Cap
3. Fan Blade
4. Guard Interlocking Nut
5. Rear Guard
6. Motor
7. Oscillation Knob
8. Cord Set

9. Fan Body
10. Fixing Screw
11. Speed Knob
12. Height Adjustment Knob
13. Stand Body
14. Base Connector
15. Base
16. Molded Securing Knob
17. Safety Screw

SPECIFICATION

Model	CCF-169CP
Voltage	220-240V~
Frequency	50Hz
Power	65W
Size	16"(40CM)

OPERATING INSTRUCTIONS

Before Using

- Please read these instructions carefully before using and keep them for future reference.
- Check your local main voltage whether it is the same as stated on the rating label.
- Before using for the first time, remove any protective films or stickers from the table fan.
- Ensure the power switch is at the "0" position.

- Always attach plug to appliance first, then plug cord into the wall outlet. To disconnect, turn OFF any control, then remove plug from wall outlet.

How to Assembly Table Fan

- Attach the rear guard to the front side of the motor; fasten the guard interlocking nut by turning it clockwise until the guard is secured firmly in place.
- Mount the fan blade onto the motor shaft; fasten the blade knob by turning anti-clockwise firmly.
- Installing the front guard:
 - Open the front guard clip and attach the hook to the rear guard.
 - Push the round edges of front guard to fit it securely into the rear guard.
 - Lock the clip.
- Installing the base:
 - Insert the stand body to the base unit firmly. Reverse the whole unit and secure the stand body by fitting the molded securing knob from the bottom of the base unit.
 - Connect and fix the fan body to the stand body.
 - Ensure the stand body is completely interlocked with the base unit.
 - Insert the panel to the stand body and lock it into position by turning the panel screw clockwise. Loosen the height adjustment knob to extend the extension tube to the required height and then tighten the securing knob.

How to Use Table Fan

- Connect the plug into a power supply socket and switch on the power.
- Switch on the fan by turning the speed button at any of the “1”, “2” or “3” settings.
- Turn the “1”, “2” or “3” button to adjust the fan speed from Low-Medium-High.
- To stop the fans, turn the speed knob to the “0” position.
- To tilt the fan, always ensure that the fan is in off position and wait until the blade has completely stopped for safety reasons. Hold the stand firmly with one hand and move the guard gently upwards or downwards.
- The oscillation knob is positioned at the top rear side of the motor housing. Press the knob down to make the fan oscillate or pull it up to stop the oscillation.
- To adjust the height of fan, always ensure that the fan is at off position and wait until the blade has completely stopped for safety reason. Hold the stand firmly and loosen the height adjustment knob, then push down or pull up the extension tube to adjust the fan height.

CARE AND CLEANING

- Always unplug the product from the wall socket and shut down completely prior to cleaning.
- Do not use abrasive sponge, scouring pads or stiff brush to clean the appliance.
- Please be cautious when cleaning the product near to the heater housing area.

- Use only damp cloth to wipe the exterior surfaces of the unit. Do not immerse the main body in water.
- Do not allow the electrical components to be exposed to water.
- For proper storage, always place the unit in a low humidity environment.



Marketed by:

CORNELL SALES & SERVICE SDN BHD (604369-P)

Lot 11B, Jalan 223, Section 51A,
46100 Petaling Jaya,
Selangor Darul Ehsan, Malaysia.

InfoLine: 1-800-881-770
www.cornellappliances.com