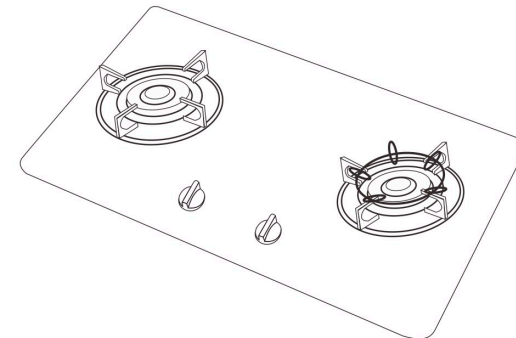
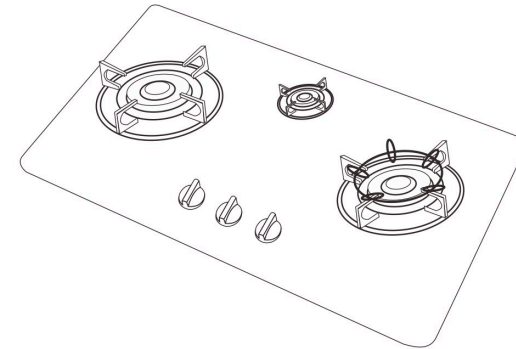


CORNELL®

User Manual



CORNELL®

Marketed by:

CORNELL SALES & SERVICE SDN BHD (604369-P)

Lot 11B, Jalan 223, Section 51A,
46100 Petaling Jaya,
Selangor Daru Ehsan, Malaysia.

Info Line: 1-800-881-770
www.cornellappliances.com

BUILT-IN HOB

CBH-GC7812SF
CBH-GC7813SF

The instruction manual should be read carefully prior to initial use in order to take full advantage of the glass hob features. Please retain it in a safe place after reading.

Installation and servicing of the glass hob must be carried out by an authorised personnel

TROUBLE SHOOTING

Fault	Causes	Remedies	
Failed ignition	The gas valve is not open.	Turn off the hob and open the gas valve.	
	Battery not installed or wrong position.	Install the battery in correct position.	
	Battery weak	Change new battery.	
	Air exist in the pipe.	Repeat the ignition to let out the air in the pipe.	
	The rubber hose is bent.	Straighten it or replace it with a new hose.	
	Sparker is dirty.	Clean the sparker. (Using damp cloth)	
	Distance between sparker and burner cap not correct.	Adjust the distance between 4 - 6 mm.	
	Burner cap and sparker wet.	Dry the burner cap and sparker with cloth.	
	Thermocouple position not correct.	Adjust the position until the flame is heating it.	
	Thermocouple dirty.	Clean thermocouple. (Using damp cloth)	
	Sparker support position not correct.	Adjust position of the sparker support.	
	The combustion is not in a normal condition	The air inlet is not in a normal condition.	Adjust the air inlet valve.
		Burner cap is not in a normal position.	Set the burner at an optimal position.
The burner is blocked.		Clean the burner. (Using damp cloth)	
The gas pressure is not correct.		Adjust or change the gas regulator.	
The nozzle is blocked.		Must be handled by qualified technician.	
Smelling of gas	The rubber hose is broken. Connection of rubber hose not proper.	Replace the rubber hose. Connect the rubber hose properly.	
	Gas cooker problem.	Consult trained technician.	
Burner backfire to injector.	The burner does not ignite.	Ignite again after gas is cleared.	
	Excessive lint found in the burner mixing tube.	Remove and clean burner.	
	Excessive gas pressure.	Check gas regulator pressure. Adjust if necessary.	
Burner has explosive	Excessive gas pressure.	Check gas regulator pressure. Adjust if necessary.	

Note: Please contact the authorized agent or the gas supply authority service department immediately for any problem that cannot be rectified.

ILLUSTRATIONS

1. New hob or when the hob has been left unused for quite sometime, there could be air in the gas pipe. It may not lit at first ignition. Please repeat the ignition process to let out air in the pipe until it is lighted.
2. In case of yellow flame or backfire during burning, adjust the air ventilation plate situated at the hob base until the flame is normal (There are air-vent for both of the inner ring and outer ring flame).

CLEANING

Allow glass hob to cool before cleaning. The glass plate is best cleaned with cloth and warm soapy water. Use of abrasive powders and pastes should be avoided. When necessary, use only mild abrasive. To remove hardened grease, please use very fine steel wool.

Caustic solutions, washing soda, aerosol spray cleaners, bleach and some biological cleaners are detrimental to some finishing. Care must be taken not to apply them onto burners and caps.

Do not wash burner caps in a dishwasher.

For cleaning, remove spillage from the anti-spillage tray as soon as possible. Control knobs may be pulled off for cleaning. But take care not to allow water to enter through the holes into the glass plate.

When re-assembling the anti-spillage tray, always ensure that it is correctly located over the spark electrode. Care should be taken to keep the electrode clean and avoid damage to the porcelain insulator when removing the anti-spillage tray during cleaning.

C O N T E N T S

4 - PARTS IDENTIFICATION & SPECIFICATIONS

5 - PRECAUTION LOGO

6 - IMPORTANT SAFEGUARDS
- CAUTION

7 - USER INSTRUCTIONS

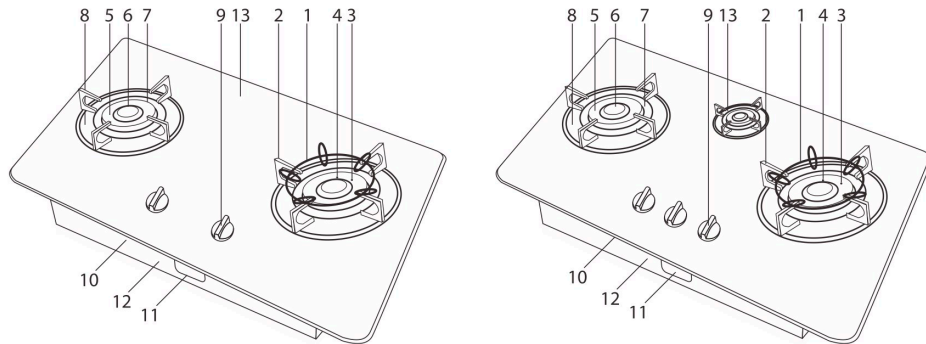
8 - INSTALLATION INSTRUCTIONS

9 - HINTS ON INSTALLATION
- SAFETY INSTRUCTIONS

10 - ILLUSTRATIONS
- CLEANING

11 - TROUBLE SHOOTING

PARTS IDENTIFICATION & SPECIFICATIONS



PART NAME

- | | | |
|--|---------------------------------------|------------|
| 1 - WOK STAND | 5 - OUTER CAP | 13 - GLASS |
| 2 - PAN STAND | 6 - INNER CAP | |
| 3 - SPARKER | 7 - DECORATIVE COVER | |
| 4 - SAFETY DEVICE (CUT OFF GAS SUPPLY TO THE BURNER IN CASE THE FLAME EXTINGUISHES ACCIDENTALLY) | 8 - ANTI-SPILLAGE TRAY | |
| | 9 - KNOB | |
| | 10 - BOTTOM BASE | |
| | 11 - LABEL | |
| | 12 - AIR VENTILATION PLATE (AIR-VENT) | |

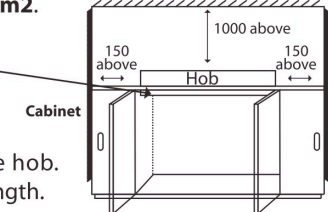
SPECIFICATIONS

MODEL	2 BURNERS		3 BURNERS		
BURNER HEAD	DOUBLE		TRIPLE		
IGNITION SYSTEM	CONTINUITY SPARK				
CONSUMPTION (kW)	LEFT	RIGHT	LEFT	MIDDLE	RIGHT
	4.5	4.5	4.5	2.5	4.5
WEIGHT (KG)	13		13.8		
GAS	LIQUEFIED PETROLEUM GAS (LPG)				
PRESSURE	30 Mbar				
RUBBER HOSE DIAMETER	10 MM				
DIMENSION (MM)	780(L)X450(W)X65(H)		780(L)X450(W)X65(H)		

HINTS ON INSTALLATION

1. The underside of the hob must have a clearance of minimum 40 cm. Do not seal completely. **The door of the cabinet should have ventilation blinds with ventilation area of not less than 0.02m².**

Bottom Plate / Base
Please do not seal / block anything underneath the bottom plate to allow proper heat ventilation



2. Please use specified rubber hose.
3. Do not place gas cylinder underneath the hob. The rubber hose must not exceed 2 m in length.
4. Observe minimum clearance surrounding the hob (more than 150 mm from the wall and more than 1000 mm for vertical distance). (Refer above diagram)

SAFETY INSTRUCTIONS

1. Please use the specified gas type for the hob.
2. Please use the specified rubber hose for gas supply which does not break due to aging. The hose must not contact any part of the hob. (It is recommended to change the gas inlet hose every 2 years.)
3. Before using, please check to ensure that the burners, brass caps and wok stands are placed in proper position.
4. Do not use the hob to dry clothing or place combustible objects near the hob.
5. During cooking, please maintain proper ventilation in the kitchen and avoid direct strong wind to the hob.
6. Do not seal the cabinet door. When using the hob, ensure supply of fresh air into the cabinet.
7. Burner heads, brass caps and wok stands are hot after use. Please do not touch them.
8. If gas leaks, switch off the stopcock and open all windows for ventilation. Do not operate electric switches, insert or remove plug from the socket, and do not light a flame.
9. Do not spray aerosols in the vicinity of this hob while it is in operation. Some propellant gas may produce corrosive vapour when heated.
10. Flammable materials should not be stored in drawers or cupboards immediately below this hob.

INSTALLATION INSTRUCTIONS

1. This hob unit must be installed by a qualified technician to avoid hazard.
2. Cut the opening 675 mm x 375 mm (rounded edges with radius R50 mm) as shown in figure 1.
3. Use new hose and new hose clip (screw type) for installation of your hob unit. (As shown in figure 2).
4. Install the hob in the cut-out. The glass top plate should fit the top of the bench properly. If fitting is not proper, please use plaster to seal any gap.
5. After installation, test with soapy water to ensure no gas leakage. (as shown in figure 3).

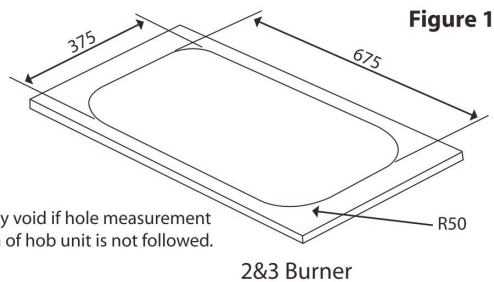
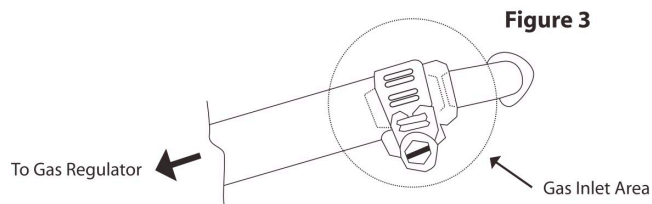


Figure 2



PRECAUTION LOGO



Do not place anything in between pan and pan support that may seriously damage the hob.



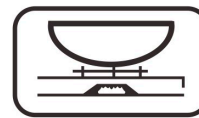
Do not remove the pan support and enclose the burner. This will concentrate the flame and deflect the heat onto the hotplate.



Do not use large or heavy pots which can bend on the pan support and deflect the flame onto the hotplate.



Position pan centrally over burner so that it is stable. Do not let pan in overhang position.



Use only wok support supplied or recommended by the hob manufacturer.

IMPORTANT SAFEGUARDS

1. If gas leaks, switch-off the stopcock and open all windows for ventilation. Do not light a match or use a lighter. Refrain from operating electric switches. Contact relevant authority immediately.
2. Please use the specified gas. Incorrect gas usage will cause abnormal burning and lead to danger.
3. Please use good quality rubber hose and ensure connection being secured properly. Make sure that the hose does not pass on top of the hob. Do not depress or bend the hose.

CAUTION

1. Please use the specified gas type.
2. When using the hob, please ensure proper ventilation in the kitchen.
3. Installation and servicing should be carried out by authorised personnel only.
4. Use only low pressure regulator for this appliance. (As shown in figure 4)

Figure 4



USER INSTRUCTIONS : - HOB WITH PIEZZO IGNITION

1. Turn on the gas supply.
2. Depress the knob and turn it anti-clockwise 90° to maximum flame position. A click sound will be heard and the burner ignites. Release the knob until the flame of the inner ring has been lit. (For hob safety device, keep the knob depressed for 5 - 8 seconds).
3. Turning the knob will produce 5 different level of flames.
4. When turning the knob clockwise to "OFF" position, a click sound will be heard. The gas supply is shut off and the flame will extinguish.

- HOB WITH ELECTRONIC IGNITION

1. Insert the battery into the battery box. (The battery box is located at the left underside of the hob).
2. Turn on the gas supply.
3. Depress the knob and turn it anti-clockwise 90° to maximum flame position. A continuous clicking sound will be heard to ignite the hob. Release the knob when the burner has been lit.
4. Turning the knob will produce 5 different level of flames.
5. When turning the knob clockwise to "OFF" position, a click sound will be heard. The gas supply is shut off and the flame will extinguish.